

MaxiForce™ Steel Bollard Base Installation Schedule

For Universal, Simple, Removable, and EZ Bases

Engineered Anchorage System for MaxiForce™ Steel Bollard Bases - Single Footing (For Universal, Simple, Removable and EZ Bases)

Base Type	Concrete Pier Diameter (In.)	Concrete Pier Height (In.)	Concrete Pier Reinforcing	Bollard Base/Embedment at Concrete Pier
Universal	12"	39"	2 - #4 Vert.	8" Min
Simple	12"	39"	2 - #4 Vert.	8" Min
Removable	12"	39"	2 - #4 Vert.	8" Min
EZ	12"	39"	2 - #4 Vert.	6" Min

Engineered Anchorage System for MaxiForce™ Steel Bollard Bases - Continuous Beam Footing (For Universal, Simple, Removable and EZ Bases)

Base Type	Concrete Grade Beam Width (In.)	Concrete Grade Beam Height (In.)	Concrete Grade Beam Reinforcing	Bollard Base/Embedment at Concrete Grade Beam
Universal	12"	22"	3 - #4 Cont.	8" Min
Simple	12"	22"	3 - #4 Cont.	8" Min
Removable	12"	22"	3 - #4 Cont.	8" Min
EZ	12"	22"	3 - #4 Cont.	6" Min

Design and Construction Notes

- 1.0 For continuous concrete grade beam footing, pipe bollards shall be spaced 4' - 0" O.C. maximum.
- 2.0 Allowable Foundation Pressure = 2,000 psf. Allowable Lateral Bearing = 150/psf. Assumed in-place soil, Sand, Silty Sand, Clayey Sand, Silty Gravel, or Clayey Gravel. For higher soil allowable design values, site soil investigation by a Registered Geotechnical Engineer is required.
- 3.0 See supplemental concrete footing details for additional information.
- 4.0 Material Specifications: Concrete = 3,000 psi (28-day min); Reinforcing ASTM A615 (60 ksi for all bars #5 and larger 40 ksi for all bars #4 and smaller).

Drawing Rev. 1	Created 11/1/2010
PROPRIETARY AND CONFIDENTIAL	
THIS DRAWING CONTAINS PROPRIETARY INFORMATION OF BLUE EMBER TECHNOLOGIES, LLC. ANY USE OF THIS DRAWING OR THE INFORMATION CONTAINED HEREIN FOR OTHER THAN THE PURPOSE FOR WHICH THIS DRAWING IS FURNISHED IS FORBIDDEN.	



MaxiForce™ Traffic Control Bollards
 7560 Main Street
 Sykesville, MD 21784
 410-552-9888 (phone) - 410-552-9939 (fax)
www.maxiforcebollards.com - sales@maxiforcebollards.com

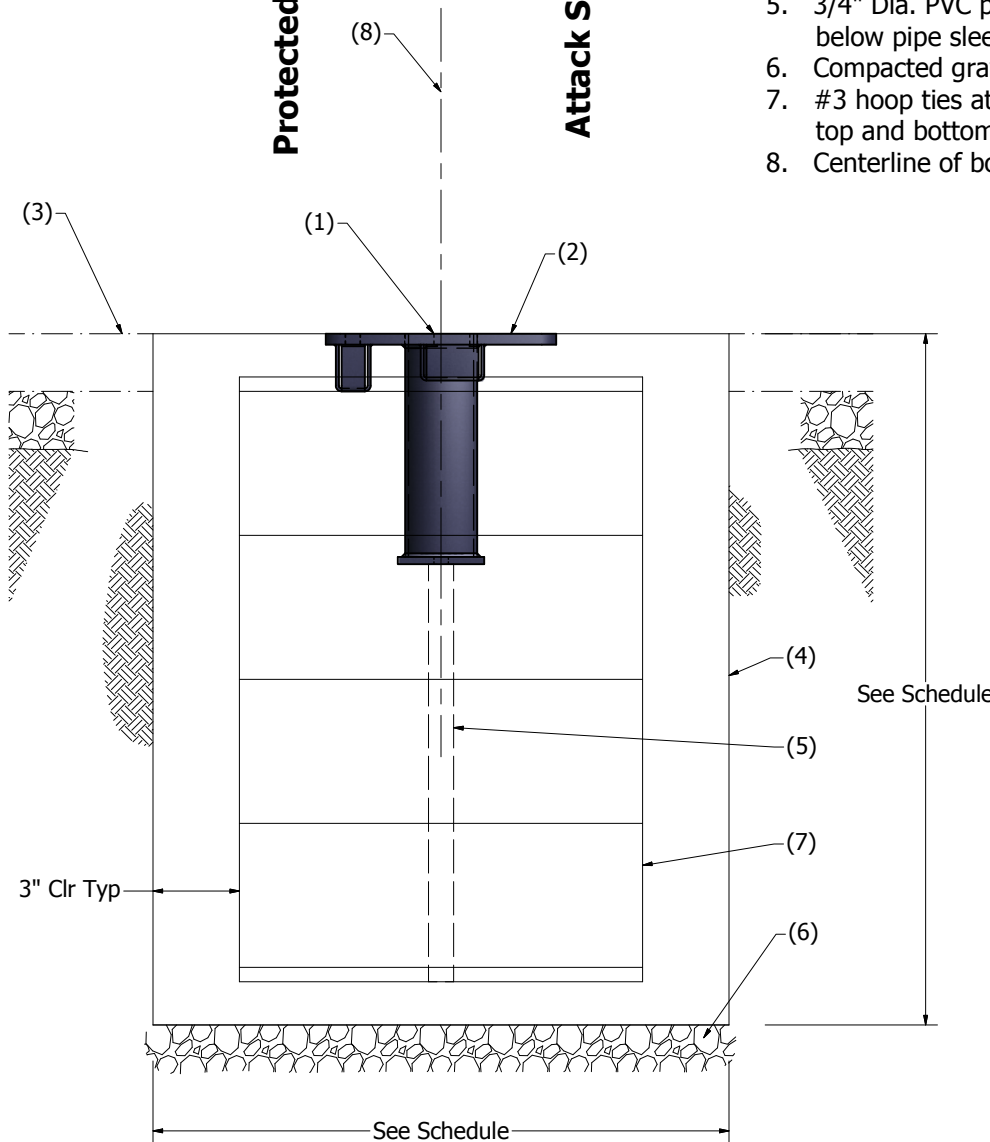
Model	U/S/R/EZ Base Installation Schedule		
Size	File Name	U_S_R_EZ Base Inst Sched	
C	Scale	NA	DO NOT SCALE DRAWING Sheet 1 Of 1

Engineered Anchorage System for the MaxiForce™ Removable Base Circular Concrete Pier Footing

1. MaxiForce™ Steel pipe bollard per specification.
2. MaxiForce™ Removable Base assembly per Blue Ember Technologies.
3. Finished grade or pavement.
4. Concrete base pier per schedule, at each pipe sleeve.
5. 3/4" Dia. PVC pipe as needed for drainage below pipe sleeve.
6. Compacted gravel bed (3" minimum).
7. #3 hoop ties at 12" O.C. and 2 - #3 ties at top and bottom of concrete pier.
8. Centerline of bollard and concrete base pier.

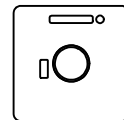
Protected Side

Attack Side




Installation Orientation

Protected Side

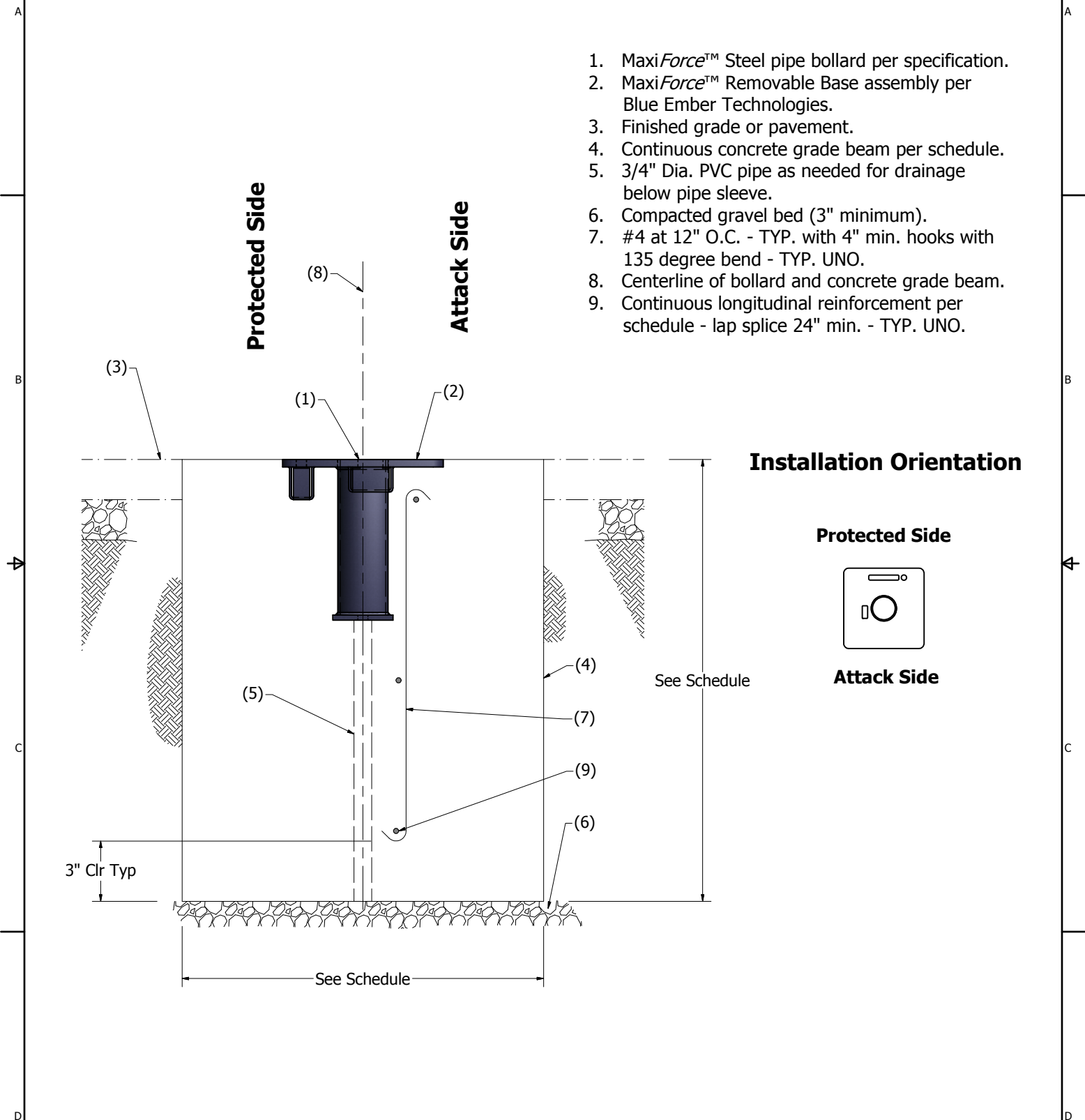


Attack Side

Drawing Rev. 1	Created 11/1/2010	 MaxiForce™ Traffic Control Bollards 7560 Main Street Sykesville, MD 21784 410-552-9888 (phone) - 410-552-9939 (fax) www.maxiforcebollards.com - sales@maxiforcebollards.com
PROPRIETARY AND CONFIDENTIAL THIS DRAWING CONTAINS PROPRIETARY INFORMATION OF BLUE EMBER TECHNOLOGIES, LLC. ANY USE OF THIS DRAWING OR THE INFORMATION CONTAINED HEREIN FOR OTHER THAN THE PURPOSE FOR WHICH THIS DRAWING IS FURNISHED IS FORBIDDEN.		
Model	Removable Base Pier Footing	
Size C	File Name R Base Pier Footing	
Scale NA	DO NOT SCALE DRAWING	Sheet 1 Of 1

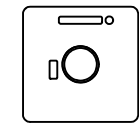
Engineered Anchorage System for the MaxiForce™ Removable Base Continuous Beam Footing

1. MaxiForce™ Steel pipe bollard per specification.
2. MaxiForce™ Removable Base assembly per Blue Ember Technologies.
3. Finished grade or pavement.
4. Continuous concrete grade beam per schedule.
5. 3/4" Dia. PVC pipe as needed for drainage below pipe sleeve.
6. Compacted gravel bed (3" minimum).
7. #4 at 12" O.C. - TYP. with 4" min. hooks with 135 degree bend - TYP. UNO.
8. Centerline of bollard and concrete grade beam.
9. Continuous longitudinal reinforcement per schedule - lap splice 24" min. - TYP. UNO.




Installation Orientation

Protected Side



Attack Side

Drawing Rev. 1	Created 11/1/2010	 MaxiForce™ Traffic Control Bollards 7560 Main Street Sykesville, MD 21784 410-552-9888 (phone) - 410-552-9939 (fax) www.maxiforcebollards.com - sales@maxiforcebollards.com
PROPRIETARY AND CONFIDENTIAL THIS DRAWING CONTAINS PROPRIETARY INFORMATION OF BLUE EMBER TECHNOLOGIES, LLC. ANY USE OF THIS DRAWING OR THE INFORMATION CONTAINED HEREIN FOR OTHER THAN THE PURPOSE FOR WHICH THIS DRAWING IS FURNISHED IS FORBIDDEN.		
Model	Removable Base Beam Footing	
Size C	File Name R Base Beam Footing	
Scale NA	DO NOT SCALE DRAWING	Sheet 1 Of 1