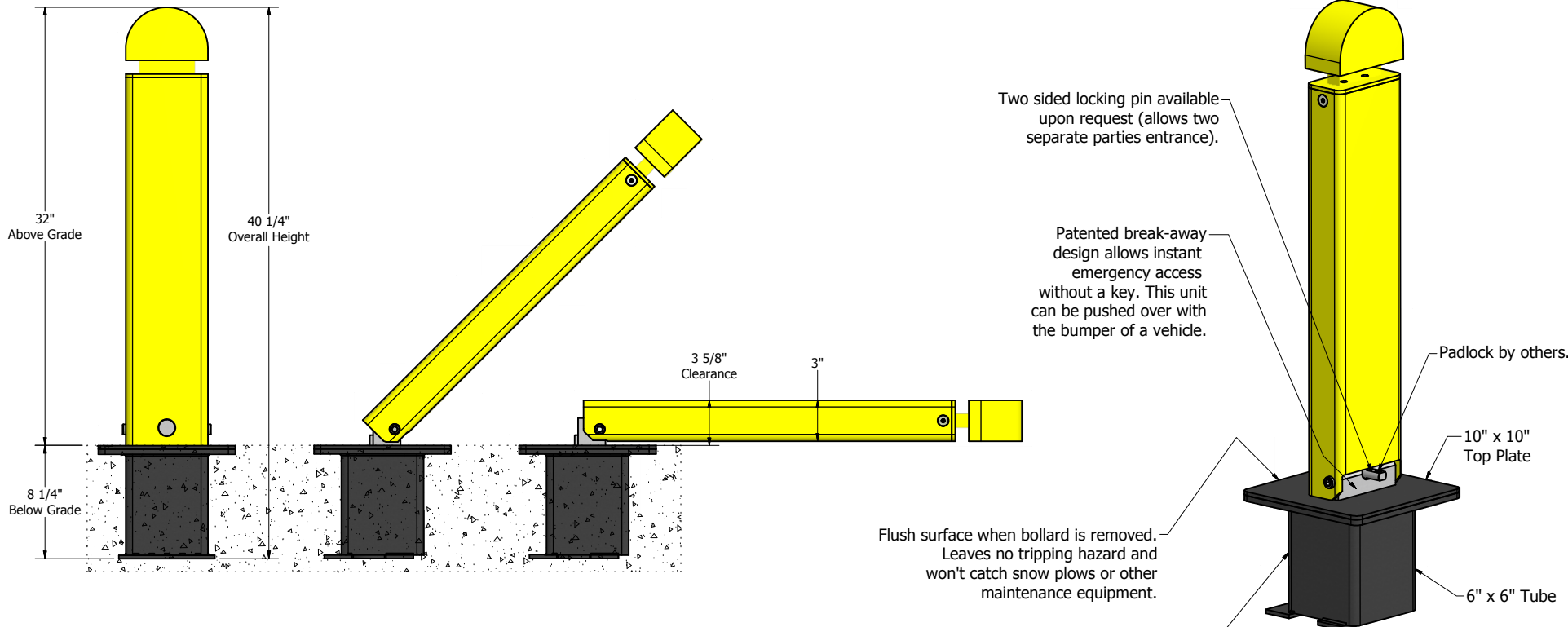


# MaxiForce™ Collapsible Bollard

Standard Body, Padlock Operated, Standard Style 3 Head, Universal Base

AHJ approved in many cities / counties / campuses for use in fire lanes per International Fire Code (IFC) 503




- Low Maintenance / Durable steel construction
- One year warranty / Protected by \$1,000,000 in liability insurance
- No complex assembly required in the field
- Custom sizes, options, colors and finishes available upon request
- Finish options available (add code to the end of the model number)
  - Powder coated (PC)
  - Powder coated with DRYZINC primer (PCZ)
  - Hot dip galvanized (G)
  - Hot dip galvanized & powder coated (GPC)
- Reflective tape available upon request

|                      |             |
|----------------------|-------------|
| Bollard Assy. Weight | Base Weight |
| 44 lbs               | 35 lbs      |
| Drawing Rev.         | Created     |
| 1                    | 11/2/2009   |

**PROPRIETARY AND CONFIDENTIAL**

THIS DRAWING CONTAINS PROPRIETARY INFORMATION OF BLUE EMBER TECHNOLOGIES, LLC. ANY USE OF THIS DRAWING OR THE INFORMATION CONTAINED HEREIN FOR OTHER THAN THE PURPOSE FOR WHICH THIS DRAWING IS FURNISHED IS FORBIDDEN.

|   |  |                   |                      |
|---|--|-------------------|----------------------|
|  | <b>MaxiForce™ Traffic Control Bollards</b><br>7560 Main Street<br>Sykesville, MD 21784<br>410-552-9888 (phone) - 410-552-9939 (fax)<br>www.maxiforcebollards.com - sales@maxiforcebollards.com |                   |                      |
|   | Model  | <b>MCSP-SS3-U</b> |                      |
| Size  | File Name  | MCSP-SS3-U        |                      |
| C   | Scale  | NA                | DO NOT SCALE DRAWING |
|   |  | Sheet             | 1 Of 1               |