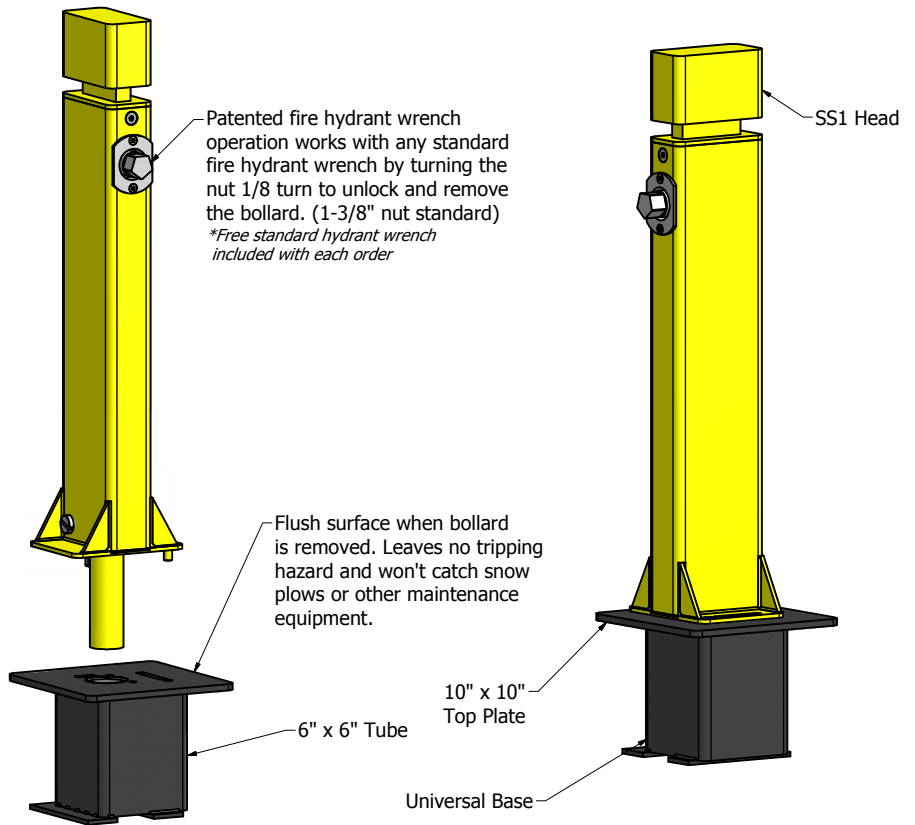
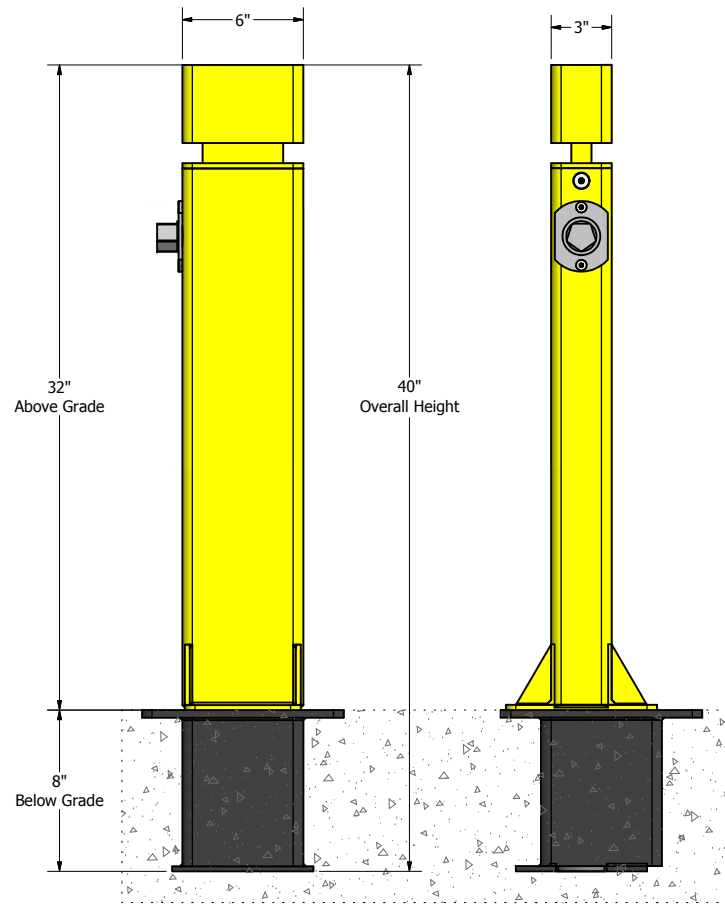


MaxiForce™ Removable Bollard

Standard Body, Wrench Operated, Standard Style 1 Head, Universal Base




- No Maintenance / Durable steel construction
- One year warranty / Protected by \$1,000,000 in liability insurance
- No complex assembly required in the field
- Custom sizes, options, colors and finishes available upon request
- Finish options available (add code to the end of the model number)
 - Powder coated (PC)
 - Powder coated with DRYZINC primer (PCZ)
 - Hot dip galvanized (G)
 - Hot dip galvanized & powder coated (GPC)
- Reflective tape available upon request

Bollard Assy. Weight 58 lbs	Base Weight 28 lbs
Drawing Rev. 1	Created 11/2/2009

PROPRIETARY AND CONFIDENTIAL

THIS DRAWING CONTAINS PROPRIETARY INFORMATION OF BLUE EMBER TECHNOLOGIES, LLC. ANY USE OF THIS DRAWING OR THE INFORMATION CONTAINED HEREIN FOR OTHER THAN THE PURPOSE FOR WHICH THIS DRAWING IS FURNISHED IS FORBIDDEN.

 MaxiForce™ Traffic Control Bollards 7560 Main Street Sykesville, MD 21784 410-552-9888 (phone) - 410-552-9939 (fax) www.maxiforcebollards.com - sales@maxiforcebollards.com	Model	MRSW-SS1-U		
	Size	File Name	MRSW-SS1-U	
	Scale	NA	DO NOT SCALE DRAWING	Sheet 1 Of 1